

# iceQ

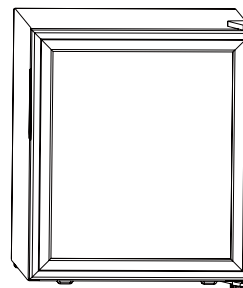
## F R E E Z E R

### OPERATING INSTRUCTIONS

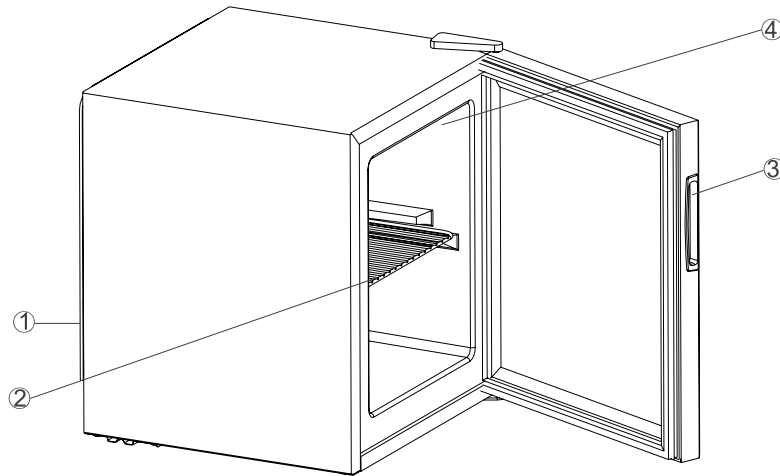
---

Please read this manual carefully before using the refrigerator

NAME OF PARTS .....	1
CORRECTLY POSITIONING .....	2
USING YOUR REFRIGERATOR .....	4
CAUTIONS .....	6
MAINTENANCE .....	7
TROUBLE SHOOTING .....	8



## 1.Name of parts



- ① Thermostat and Power switch of LED
- ② Removable Shelf
- ③ Door
- ④ Evaporator(inside of fridge)

## 2. Correctly positioning

### Well Ventilating

There is need of good ventilation around the refrigerator for easy dissipation of heat, high efficiency of refrigeration and low power consumption. For this purpose, sufficient clear space should be needed around the refrigerator, its back is at least 100mm away from the wall, its sides at least have a space of 200mm separately and the height from over its top is not less than 300mm. A clear space should be left to open its doors to 160°.

### Power Supply

The refrigerator is only applied with power supply of single phase alternating current (SEE RATING LABEL). If fluctuation of voltage in the district user is of so large that the voltage exceeds the above scope, for safety sake, be sure to apply A.C. automatic voltage regulator to the refrigerator. The refrigerator must employ a special power socket instead of common one other electric appliances. Its plug must match the socket with ground wire.

### Power Line Cord

The cord should be neither lengthened nor folded into coil during operation. Moreover, it is forbidden that cord is kept close onto the compressor at the back of the refrigerator, the surface temperature of which is quite high when operating. Touching with it would deactivate the insulation or cause leakage for electricity.

The appliance must be positioned so that the plug is accessible.

**WARNING:**

If the power cord is damaged, it must be replaced by the manufacturer or its service agent or a similarly qualified person in order to avoid a hazard.

#### Protection from Moisture

Avoiding placing the refrigerator in a place where heavy moisture is present so as to minimize possibility of rusty for its metal parts. Still more, the refrigerator is forbidden to be directly sprayed by water, otherwise, poor insulation and current leakage would occur.

#### Protection from Heat

The refrigerator should be far away from any heat source or direct sunshine.

#### Fixing Stable

Floor on which refrigerator will be placed must be flat and solid. It should not be laid on any soft material such as foam plastic, etc. If the refrigerator is not on the same level, adjust the screws suitably. The refrigerator should not be placed near anything which may echo.

#### Keep Away from Danger

It is inadvisable that the refrigerator is placed near any volatilizable or combustibles such as gas, petrol, alcohol, lacquer and banana oil, etc. The above-mentioned objects can not be stored in the refrigerator.

#### Moving

When fixed or moved, the refrigerator can not be set horizontally or declined to more than 45° or upside-down.

### 3.USING YOUR REFRIGERATOR

#### Temperature Control

Turn on the device by connecting the plug to a wall socket and turning the temperature control, which is located at the device back side. Please also refer to chapter “Settings”.

##### Settings

Setting OFF indicates the device is turned off.

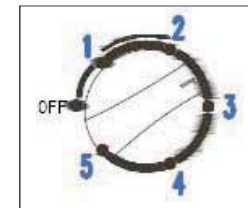
Turn the temperature control clockwise, starting from this setting; the device will turn on automatically.

The Settings 1 MIN 5 MAX regulate the inside temperature.

Setting OFF=Off

Setting 1 (or MIN)=lowest setting (warmest inside temperature)

Setting 5 (or MAX)=highest setting (coldest inside temperature)



Turning the temperature control clockwise will lower the inside temperature. Please keep in mind that the temperature changes with the ambient temperature (of the location), with the frequency of opening the door and the amount of food in the device.

During initial operation, turn the temperature control to the highest setting first, until the device has reached the desired operating temperature. Afterwards It is recommended to turn the control back to a medium setting, correcting the temperature at a later point would then be easier.

#### Inside of fridge with LED

The inside of fridge has the LED. The power switch of LED is in the cabinet for compressor at the back of fridge. Please turn off LED, when close the door.

- If the unit is unplugged, power lost, or turned off, you must wait 3 to 5 minutes before restarting the unit. If you attempt to restart before this time delay, the refrigerator will not start.
- You should put your appliance in the coolest place in your room, which can save energy consumption of your appliance. If the environment temperature is too high, the temperature in the refrigerator may not get the target temperature.
- This appliance is not intended for use by persons(including children) with reduced physical, sensory or mental capabilities,or lack of experience and knowledge, unless they have been given supervision or instruction concerning use of the appliance by a person responsible for their safety.
- Children should be supervised to ensure that they do not play with the appliance.
- **WARNING:**Do not damage the refrigerant circuit,and keep ventilation openings, in the appliance enclosure or in the built-in structure,clear of obstruction .
- Don't use mechanical devices or other means to accelerate the defrosting process, other than those recommended by the manufacturer.
- Don't use electrical appliances inside the food storage compartments of the appliance, unless they are of the type recommended by the manufacturer.

## 4.Cautions

- ★ Water getting into air inside the refrigerator by opening doors may form a layer of frost inside, It will weaken the refrigerator when the frost is thick. While it is more than 2mm thick, you should defrost.
- ★ Defrosting is operated manually. Before defrosting, take the bottle, then set the knob of the temperature regulator to position "1" (where the compressor will stop working) and leave the door open until ice and frost dissolve thoroughly deposited. In the case of speeding up the defrosting, you may put a bowl of warm water (about 50°C) into the evaporator, and be sure to set the knob of the temperature regulator to original position after defrosting.
- ★ It's inadvisable to heat the evaporator directly with hot water or hair dryer while defrosting to prevent deformation of the inner case.
- ★ It's also inadvisable to scrape of ice and frost which have been congealed together with the food with sharp tool or wooden bars, so as not to damage the inner casing or the surface of the evaporator.
- ★ Extension cord is not recommended to use.
- ★ If the supply cord of this appliance is damaged, it must only be replaced by professional person or the repair shop appointed by the manufacturer,
- ★ Before you throw away your old refrigerator :take off the door, leave the shelves in place, so that children may not easily climb inside.
- ★ Never allow children to operate, play with, or crawl inside the appliance.
- ★ The plug could be touched by the user after the refrigerator was installed.

## 5.Maintenance

- ★ The refrigerator should be cleaned and maintained once a month.
- ★ When performing maintenance, make absolutely sure that the power plug is first disconnected from the power outlet.
- ★ Wipe the inner and outer surface of the refrigerator and its accessories with wet cloth. If they are too dirty, scrub them with neutral detergent, and then clean them with water and dry them with clean cloth. After this, a small quantify of glass wax is recommended to polish the refrigerator surface with a flannelette.
- ★ For cleaning, don't use hot water, diluent, petrol, alcohol, kerosene, washing powder, cleanser, alkaline detergent, acid, Chemical cloth, etc. So as not to damage the lacquer coat and plastics. It is forbidden than the refrigerator is directly sprayed with water. Otherwise, it would cause rusty or weaken the insulation.
- ★ Be careful to upkeep the sealing rubber bars of the doors. They should always be cleaned.
- ★ If the plastic parts in refrigerator remain contaminated for a long time by oil (animal or vegetable), they will be easy aged and possibly cracked. The drain pan gets dirty very easily if it is not cleaned regularly, bad odours will be produced, get into the habit of cleaning this pan regularly.



## 6. Troubleshooting

### 1. When the refrigerator does not work

Check if there is a power failure.

Check if the power plug is plugged into the power outlet.

Check that the fuse has not blown.

### 2. When the refrigerator is cooling excessively

The temperature control dial may be set too high.

If you place foodstuffs containing a lot of moisture directly under the cool air outlets, they will freeze easily. This does not indicate a malfunction.

### 3. When the refrigerator is not cooling sufficiently

The food may be packed too tightly together which will block the flow of cool air.

You may have put something hot or a lot of food stuffs into the refrigerator .

The door may not have been closed properly.

The door gaskets may be damaged.

The refrigerator may not be ventilated.

There may be insufficient clearance between the refrigerator and the surfaces

Immediately both sides and above.

The temperature control dial may not be set properly.

4. When the defrosting water overflows inside the refrigerator and onto the floor.  
Check that the drain pipe and the drain hose are not clogged.  
Check that the drain pan is housed properly.
5. When the refrigerator's cabinet front heats up.  
In order to safeguard against condensation, there is an anticondensation, pipe which heats up the cabinet front when running actuated. A warm cabinet front does not indicate a malfunction.
6. When condensation form on the outside of the refrigerator.  
Condensation may form on the outside when the humidity is high such as during a wet season. This is the same result as the condensation formed when chilled water is poured into a glass. It does not, therefore, indicate a failure, wipe dry with a dry cloth.
7. When you hear a sound like water flowing .  
A sound like water flowing is the refrigerant flowing.  
It does not Indicate a malfunction.
8. When the cabinet's side panel heats up  
The side panel of the cabinet will heat up when the door is opened or closed frequently, when starting the unit and when the unit operates in summer with high ambient outside temperature, In such case, do not touch the panel, it results from the dissipation of the heat from inside the cabinet, and it does not mean that something is wrong with the refrigerator.

**WARNING:**

Keep ventilation openings, in the appliance enclosure or in the built-in structure, clear of obstruction.

Do not use mechanical devices or other means to accelerate the defrosting process.

Do not use electrical appliances inside the food storage compartments of the appliances.

The wearing out freezer also has potential hazard,you should leave the freezer in a safe ventilation place.

The appliance must be positioned so that the plug is accessible.

**WARNING:**

If the power cord is damage, it must be replaced by the manufacturer or its service agent or a similarly qualified person in order to avoid a hazard.