



SUBCOLD[®]

FREEZER

Model: Eco 35F



To ensure proper use of this appliance and your safety, please read the instruction manual completely before operating this appliance.

INSTRUCTION MANUAL

CONTENTS

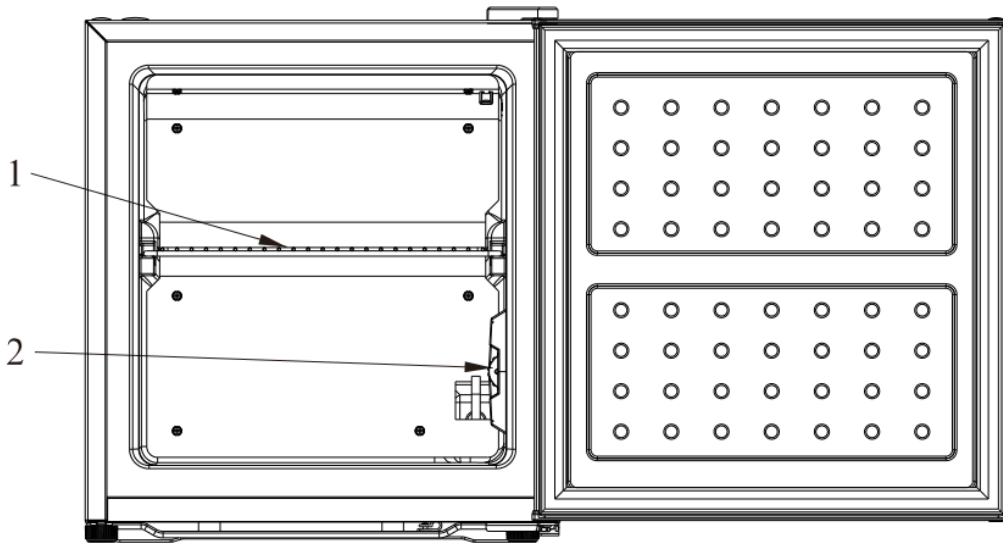
Description of Parts	2
Safety Warnings	3
Installation Instructions	5
Operation	6
Packing and Moving	6
Maintenance	6
Defrost	7
Disconnecting the Appliance	7
Troubleshooting Tips	8
Hints and Tips	9
Shopping Tips	10
Technical Data	11
Specifications and Parameters	13

Thank for purchasing our products and thank you for placing your confidence in us.
Please read this manual carefully before using. Follow instructions and keep it for future reference.

Please follow the operating instructions and safety notices in the manual.

If any trouble arise, do not fix it yourself or hand it to the after sales service center which has not been authorized. Please contact the local authorized service center.

Description of Parts



1. Shelf
2. Temperature control knob

- The freezer you purchased may be improved, which maybe not completely be consistent with the manual, However the functions and operating methods will not change. Please feel free to use!
- If you use the freezer for the first time, remove the adhesive tapes of the drawers, balconies, egg tray, and the drain tube plug.
- Do not pull or push the drawers and balconies fiercely during use in case of damage.
- Adjusted the temperature control as higher as you could accept, which will save the energy consumption of the freezer and your money; Don't open the freezer door continually if it is in the normal working situation.
- Keep the combination of drawers, baskets and shelve of the freezer is consistent with its original standard.

SAFETY WARNINGS

To ensure your personal safety, please follow the points below:

1. The circuitry for the freezer must be isolated. The area of cross section of wire must be larger than 0.75mm². The power plug should have its own socket, the socket must be grounded as adapter may cause the socket to overheat.
2. The voltage and frequency of this product should be 220-240V;50Hz. Contact with the local maintenance station or retailer in case of electrical cord damage.
3. Always disconnect the power only by pulling the power plug out of the socket directly but not by the cord.
4. Do not damage the refrigerant circuit.
5. Persons with low physical, sensory and mental capabilities (including children of below 8 years) are not advised to use this appliance unless they are well supervised/instructed by a safety person. Children should be supervised to ensure that they do not play with the appliance. Children shall not play with the appliance. Cleaning and user maintenance shall not be made by children without supervision.
6. Keep ventilation opening, in the appliance enclosure or in the built in structure should be clear of obstruction.
7. ***Before you throw away your old freezer.***
 - Take off the doors;
 - Leave the shelves in place so that children may not easily climb inside
8. Do not store in the appliance explosive devices / substances such as aerosol cans with a flammable propellant . This appliance is intended to be used in household and similar applications such as :
 - Staff kitchen areas in shops, offices and other working environments;
 - Farm houses and by clients in hotels, motels and other residential type environments; bed and breakfast type environments;
 - Catering and similar non-retail applications.
9. Do not use electrical appliance inside the food storage compartments of the appliance, unless they are of the type recommended by the manufacturer.
10. This appliance can be used by children aged from 8 years and above and persons with reduced physical, sensory or mental capabilities or lack of experience and knowledge if they have been given supervision or instruction concerning use of the appliance in a safe way and understand the hazards involved. Children shall not play with the appliance. Cleaning and user maintenance shall not be made by children without supervision.
11. This refrigerating appliance is not intended to be used as a built-in appliance.
12. Children aged from 3 to 8 years are allowed to load and unload refrigerating appliances. To avoid contamination of food, please respect the following instructions:
 - Opening the door for long periods can cause a significant increase of the temperature in the compartments of the appliance.
 - Clean regularly surfaces that can come in contact with food and accessible drainage systems.

SAFETY WARNINGS

- Clean water tanks if they have not been used for 48 h; flush the water system connected to a water supply if water has not been drawn for 5 days.
- Store raw meat and fish in suitable containers in the freezer, so that it is not in contact with or drip onto other food.
- Two-star frozen-food compartments are suitable for storing pre-frozen food, storing or making icecream and making ice cubes.
- One-, two- and three-star compartments are not suitable for the freezing of fresh food. -If the refrigerating appliance is left empty for long periods, switch off, defrost, clean, dry, and leave the door open to prevent mould developing within the appliance.

Warning:

- This appliance must be fixed in accordance to the instructions provided to avoid hazard
- When positioning the appliance, ensure the supply cord is not trapped or damaged.
- Do not locate multiple portable socket outlets or portable power supplies at the rear of the appliance.

NOTICE

- When gas leaks from its container, don't pull the plug, out or in, for it may arouse sparks and fire calamities.
- Don't splash water on the rear of the appliance, for it may cause malfunction or electric shock.
- Don't store inflammable materials such as ether, benzene, LP gas and glue etc. in the freezer.
- It is better not place object on the top of appliance which is magnetic, heavy, or be filled with water. Electronic components may not work steadily if water gets inside. Do not store object which is costly or impressible to temperature and , e.g. serum, bacterin and so on.
- The refrigerant of this product is R600a, which is inflammable. So, make sure not to damage the cooling system during the transportation and installation.

DISPOSAL: Do not dispose this product as unsorted municipal waste. Collection of such wastes separately for special treatment is necessary.



INSTALLATION INSTRUCTIONS

1. The freezer should be located in a completely flat surface, Leave 5~10 cm between each side of the appliance and the wall, and leave 30 cm between the top of the appliance.
2. Choose a location which is not exposed to sunlight, high temperature or humidity
3. Remove all adhesive transport tapes before using.
4. The appliance can be adjusted by turning its two legs in front the bottom when it is unstable. Turning clockwise can raise up the machine.
5. The location should be firm and flat. If it is not in a level position it may cause noise / vibration:
 - 1) The noise may be increased if the floor is not firm.
 - 2) Put a sheet under the appliance for better heat emission if you need to locate it onto a carpet.
- 6) Make sure the adjustable legs are tight to the floor, and set the appliance slope backwards slightly for keeping the doors closed tightly.

For disposal of the appliance:

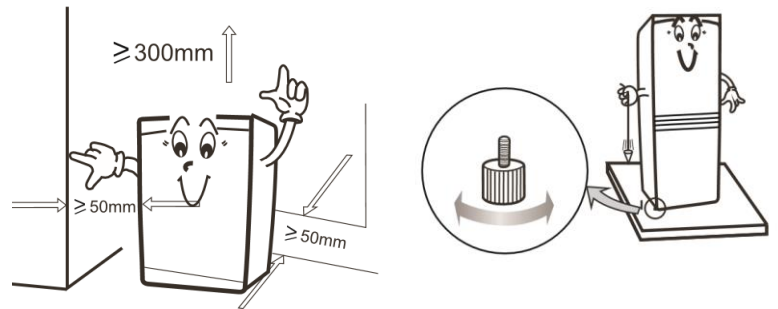
To prevent possible harm to the environment or human health from uncontrolled waste disposal, recycle it responsibly to promote the sustainable reuse of material resources. And the disposal should only be done through public collection points.

For installation, servicing:

Appliance should be placed on a horizontal floor and allow free ventilation.

For handling:

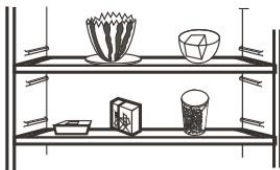
Always handle the appliance gently and with care to avoid any damage.



USAGE INSTRUCTIONS

Placement of Food Items

1. There should always be some space between items inside for air circulation.
2. Food should be kept in sealed package to prevent them from getting dry or with odour
3. Hot food should be cooled down before placing into the appliance. Otherwise, interior temperature and electronic consumption will increase.
4. Reduce the frequency of door opening - it can efficiently lower the electricity consumption.



Warning Do not use any electronic equipment inside the appliance.

Setting the Temperature Control

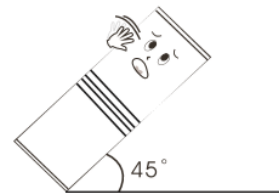
The temperature of freezer can be controlled manually by the knob. Turn the knob to state COLD when it is normal used, turn it to the state during COLD-COLDEST if a lower interior temperature is required; contrarily, to the state during COLD-COOL, when a higher one is needed.

Packing and Moving

1. Unpack , repack and carry

Please memorize the position of each accessory of the appliance when unpack it, repack the product and check it carefully before transportation.

2. Do not lift or pull the door or the door handle during lifting, carrying and transportation.
3. When moving, the appliance can not be sloped over 45 degrees (the angle to the vertical direction). Please avoid strong vibrations.



MAINTENANCE

This appliance should be maintained and cleaned frequently. For your safety, ensure to unplug the socket from the main power source before cleaning.

Interior maintenance

Clean the interior of the appliance with clean water or neutral abluent. Scour it with clean water and wipe it with a piece of dry cloth.

Maintenance of the door gasket

It is easy to damage if the door gaskets are polluted by the stain like oil, sauce and etc., so it is better to clean them carefully.

Outer maintenance

Wipe the dusty with a piece of dry cloth ,clean it with neutral abluent if necessary.

Defrost

Heavy frost will influence the refrigeration of the appliance and increase the energy consumption. Thus, defrosting is needed when the frost is as thick as 5mm. The process for manual defrost are listed as follows:

- Take all the food out of the compartment;
- Remove the shelf;
- Unplug the power cord;
- Open the doors and wait for thawing;
- Wipe the defrost water with a dry cloth.

Warning: Do not use any other equipment or method to assist the defrost process. It may cause damage to the cooling system.

Disconnecting the Appliance

In case of a power failure, the freezer can store food normally for several hours.

During power failure

After power failure, do not put additional food in the appliance and reduce the frequency of door opening. Make several ices in a container if know the power failure beforehand, and put it in the top of the fridge.

During vacation

Please fetch out the easy-rot food and the food in fridge before shot vacation. After confirmation, close the door firmly. If have a long vacation, please fetch out all the food and cut off the power. After defrosting, clean up the liner of the appliance and wipe it dry, and leave the door open.

Not in use

If the freezer will not be in use for a long period of time, please unplug the outlet and clean up the appliance. The door should be kept open in order to prevent unpleasant smell caused by food leavings.

Attention: In a general working conditions, do not restart the power immediately, please leave at at least 5 minutes before powering back on.

USER NOTIFICATIONS

1. Do not splash water on the freezer, as it will cause oxidation and malfunction. Electronic component such as on/off button should be wiped dry.
2. Cleansers such as soap powder, abrasive cleaning powder, alkali cleansers, chemical cloth, thinner, alcohol, acid petroleum product and hot water should not be used to clean the freezer as they may damage the painted cover and plastics.
3. Smear can damage the interior plastic component, so wipe it as soon as possible.
4. **Please check the points below after maintenance:**
 - a. Is there any damage or loss of the electronic wire ?
 - b. Can the plug be put in the socket reliably and smoothly?
 - c. Is the plug heating unconventionally?

WARNING: Please get rid of the gasket of the door before the disposal. The disposed apparatus should be handled by professional staff, as it may be harmful to the environment.

TROUBLESHOOTING TIPS

You can easily solve some common problems in the unit which will save you the cost for a possible service charge by technician. Try the suggested points below to see if you can solve the problem before calling a technician.

PROBLEMS	POSSIBLE CAUSE
The freezer does not work	<ul style="list-style-type: none"> It may not be connected to the power supply(plug, power cut or fuse); Voltage is too low.
The freezer does not work efficiently as expected	<ul style="list-style-type: none"> It may be caused by heavy frost, or by warm temperature setting, or by frequently door operating.
It makes unusual noise	<ul style="list-style-type: none"> It may be caused by an imbalance or loose ground locating the appliance, or by resonation between the appliance and other ambient objects.
The compressor keeps working for a long period	<ul style="list-style-type: none"> The environment temperature may be too high. The doors may be opened frequently or even they are left open. The temperature control knob setting in (4-7) state may increase the working time of compressor.
Disgusting odour happens	<ul style="list-style-type: none"> Food with strong odour should be packed tightly before being put inside the appliance. Please check whether there is any deteriorated item or whether the liners are left dirty for a long time.
Water leaks from the bottom of the freezer	<ul style="list-style-type: none"> The drain tube is jammed. Please use a proper tool to solve it.
Heavy frost occurs on the rear of the appliance	<ul style="list-style-type: none"> Putting humid or hot food into the appliance may cause this problem. Or it may be caused by the heavy environment moisture.

Cases that are not malfunctions

- Moisture may form dew on the outside of the product during high humidity. Please wipe the external surface with a clean and dry cloth to clear this dew
- The flow of refrigerant through the pipeline coil can cause some noises which is normal.
- The sides of product having a warm temperature; it is as a result of the appliance working.
- The frame of the appliance will be warm to prevent condensation

Please check the points above first. If the supply cord is damaged, it must be replaced by the manufacturer, its service agent or similarly qualified persons in order to avoid a hazard.

HINTS AND TIPS

HINTS FOR ENERGY SAVING

1. **Freezer:** The internal configuration of the appliance is the one that ensures the most efficient use of energy.
2. **Fridge:** Most efficient use of energy is ensured in the configuration with the drawers in the bottom part of the appliance and shelves evenly distributed. Position of the door bins does not affect energy consumption.
3. Do not open the door frequently or leave it open longer than necessary.
4. **Freezer:** The colder the temperature setting, the higher the energy consumption.
5. **Fridge:** Do not set too high temperature to save energy unless it is required by the characteristics of the food.
6. If the ambient temperature is high and the temperature control is set to low temperature and the appliance is fully loaded, the compressor may run continuously, causing frost or ice formation on the evaporator. In this case, set the temperature control toward higher temperature to allow automatic defrosting and to save energy this way.
7. Ensure a good ventilation. Do not cover the ventilation grilles or holes.

HINTS FOR FREEZING

1. Activate Super Freeze function at least 24 hours before placing the food inside the freezer compartment.
2. Before freezing wrap and seal fresh food in: aluminium foil, plastic film or bags, airtight containers with lid.
3. For more efficient freezing and thawing divide food into small portions.
4. It is recommended to put labels and dates on all your frozen food. This will help to identify foods and to know when they should be used before their deterioration.
5. The food should be fresh when being frozen to preserve good quality. Especially fruits and vegetables should be frozen after the harvest to preserve all of their nutrients.
6. Do not freeze bottles or cans with liquids, in particular drinks containing carbon dioxide -they may explode during freezing.
7. Do not put hot food in the freezer compartment. Cool it down at room temperature before placing it inside the compartment.
8. To avoid increase in temperature of already frozen food, do not place fresh unfrozen food directly next to it. Place food at room temperature in the part of the freezer compartment where there is no frozen food.
9. Do not eat ice cubes, water ices or ice lollies immediately after taking them out of the freezer. Risk of frostbites.
10. Do not re-freeze defrosted food. If the food has defrosted, cook it, cool it down and then freeze it.

HINTS FOR STORAGE OF FROZEN FOOD

- Higher temperature setting inside the appliance may lead to shorter shelf life.
- The whole freezer compartment is suitable for storage of frozen food products.
- Leave enough space around the food to allow air to circulate freely.
- For adequate storage refer to food packaging label to see the shelf life of food.
- It is important to wrap the food in such a way that prevents water, humidity or condensation from getting inside.

SHOPPING TIPS

After grocery shopping:

- Ensure that the packaging is not damaged - the food could be deteriorated. If the package is swollen or wet, it might have not been stored in the optimal conditions and defrosting may have already started.
- To limit the defrosting process buy frozen goods at the end of your grocery shopping and transport them in a thermal and insulated cool bag.
- Place the frozen foods immediately in the freezer after coming back from the shop.
- If food has defrosted even partially, do not refreeze it. Consume it as soon as possible.
- Respect the expiry date and the storage information on the package.

Shelf Life For Freezer Compartment

Type of food	Shelf life (months)
Bread	3
Fruits (except citrus)	6-12
Vegetables	8-10
Leftovers without meat	1-2
Dairy food:	
Butter	6 - 9
Soft cheese (e.g. mozzarella)	3 - 4
Hard cheese (e.g. parmesan, cheddar)	6
Sea food:	
Fatty fish (e.g. salmon, mackerel)	2 - 3
Lean fish (e.g. cod, flounder)	4 - 6
Shrimps	12
Shucked clams and mussels	3 - 4
Cooked fish	1 - 2
Meat:	
Poultry	9 - 12
Beef	6 - 12
Pork	4 - 6
Lamb	6 - 9
Sausage	1 - 2
Ham	1 - 2
Leftovers with meat	2 - 3

HINTS FOR FRESH FOOD REFRIGERATION

Good temperature setting that ensures preservation of fresh food is a temperature less than or equal to +4°C. Higher temperature setting inside the appliance may lead to shorter shelf life of food.

- Cover the food with packaging to preserve its freshness and aroma.
- Always use closed containers for liquids and for food, to avoid flavours or odours in the compartment.
- To avoid the cross-contamination between cooked and raw food, cover the cooked food and separate it from the raw one.
- It is recommended to defrost the food inside the fridge.
- Do not insert hot food inside the appliance. Make sure it has cooled down at room temperature before inserting it.
- To prevent food waste the new stock of food should always be placed behind the old one.

HINTS FOR FOOD REFRIGERATION

Meat (all types): wrap in a suitable packaging and place it on the glass shelf above the vegetable drawer. Store meat for at most 1-2 days.

- Fruit and vegetables: clean thoroughly (eliminate the soil) and place in a special drawer(vegetable drawer).
- It is advisable not to keep the exotic fruits like bananas, mangos, papayas etc. in the freezer.
- Vegetables like tomatoes, potatoes, onions, and garlic should not be kept in the freezer.
- Butter and cheese: place in an airtight container or wrap in an aluminium foil or a polythene bag to exclude as much air as possible.
- Bottles: close them with a cap and place them on the door bottle shelf, or (if available) on the bottle rack.
- Always refer to the expiry date of the products to know how long to keep them.

TECHNICAL DATA

The technical information is situated in the rating plate on the internal side of the appliance and on the energy label.

The QR code on the energy label supplied with the appliance provides a web link to the information related to the performance of the appliance in the EU EPREL database. Keep the energy label for reference together with the user manual and all other documents provided with this appliance.



It is also possible to find the same information in EPREL using the link <https://eprel.ec.europa.eu> and the model name and product number that you find on the rating plate of the appliance.

See the link www.theenergylabel.eu for detailed information about the energy label.

INFORMATION FOR TEST INSTITUTES

Installation and preparation of the appliance for any EcoDesign verification shall be compliant with EN 62552. Ventilation requirements, recess dimensions and minimum rear clearances shall be as stated in this User Manual. Please contact the manufacturer for any other further information, including loading plans.

ENVIRONMENTAL CONCERNS

Recycle materials with the symbol  . Put the packaging in relevant containers to recycle it. Help protect the environment and human health by recycling waste of electrical and electronic appliances. Do not dispose of appliances marked with the symbol  with the household waste. Return the product to your local recycling facility or contact your municipal office.

SPECIFICATIONS AND PARAMETERS

Model		ECO 35F
Climate Class		SN/N
Electric Shock Protection Type		I
Net Capacity (L)	Freezer	30
	Refrigerator	\
Rated Voltage (V)		220-240
Frequency (Hz)		50
Current (A)		0.4
Voice [Class]		C
Refrigerant		R600a/30g
Interior temperature (°C)	Freezer	≤-18
	Refrigerator	\
Dimension (mm)	Width	444
	Depth	485
	Height	495

Packing List

Eco 35F

- | | | |
|-------------------|---|---------|
| 1. Shelf | - | 1 Piece |
| 2. Owner's manual | - | 1 copy |

Note: Products are subject to improve from time to time, any changes in parts without further notice.

For FAQs and more information, please visit:



www.subcold.com



[@subcoldltd](https://www.facebook.com/subcoldltd)



01506415564 (UK Office Hours)



[@subcold_official](https://www.instagram.com/subcold_official)



sales@subcold.com

Subcold Ltd

1 Drummond Square
Brucefield Industrial Estate
Livingston, West Lothian
EH54 9DH
United Kingdom

Eurolink Europe Compliance Limited

25 Herbert Place
Dublin D02 AY86
Republic of Ireland

