



## Installation and Operating Instructions

MODEL:IceQ48W  
IceQ48S

### A+ TABLE-TOP FRIDGE



**This picture is for indicative purposes only. Actual models may display cosmetic differences**

**Please read these instructions carefully before attempting to install or use this appliance.  
It is advisable to keep these instructions in a safe place for future reference.**

---

# **Introduction**

Thank you for choosing this ICEQ appliance. It has been designed to give years of trouble-free use provided it is installed and maintained correctly.

Please read these instructions carefully before installing or using your appliance. It is advisable to keep your purchase and installation receipts with these instructions in a safe place for future reference.

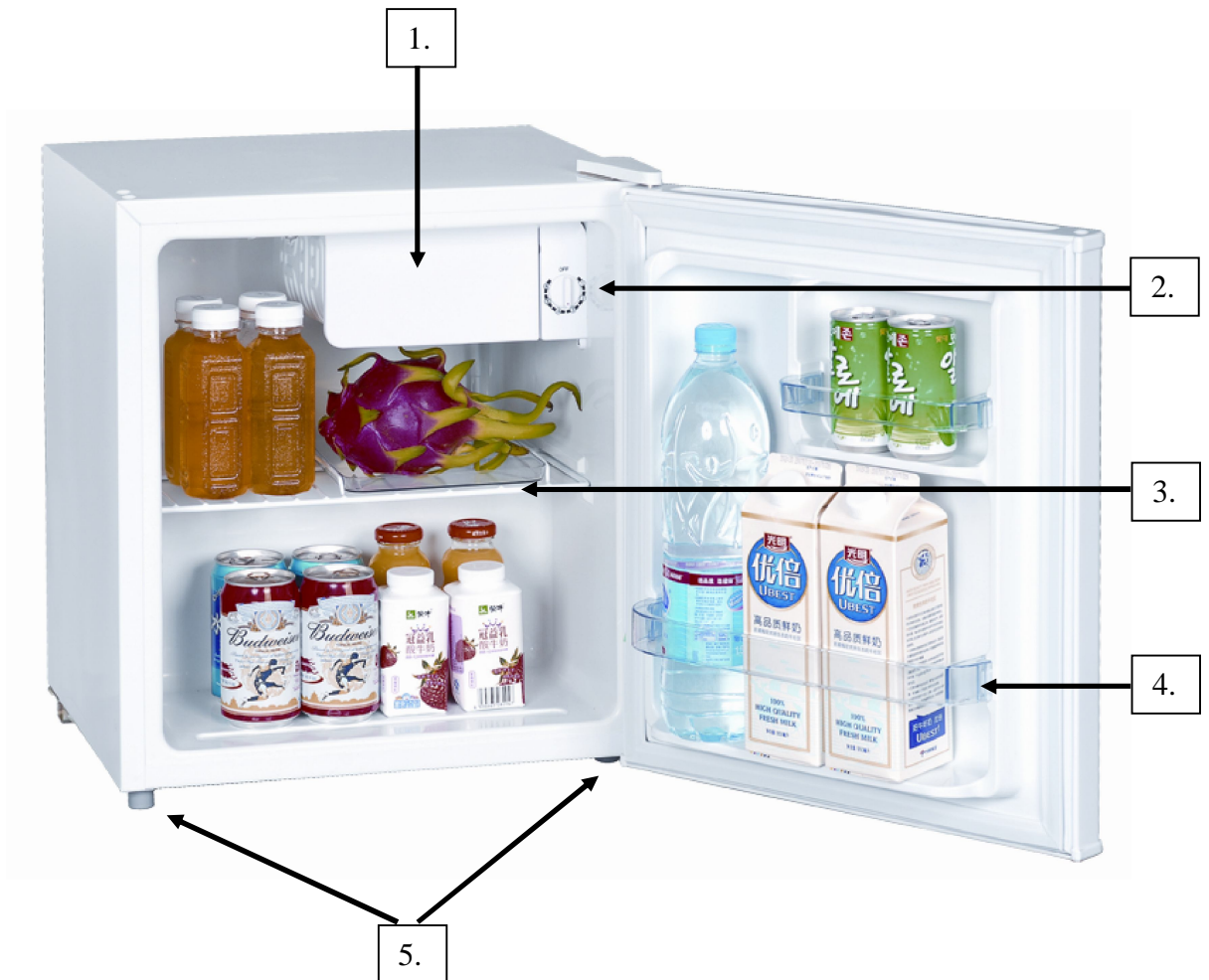
Included is some important safety information in addition to guidelines and recommendations that will enable you to take full advantage of all the functions available.

This quality appliance has been tested and certified to meet all applicable UK electrical and safety standards.

This appliance must be installed and connected in accordance with current regulations by a qualified electrician.

After unpacking the appliance ensure that there is no visible damage. If the appliance has been damaged during transit, do not use it, contact your retailer immediately.

## Description of the Appliance



1. Ice-Box
2. Thermostat Control Knob
3. Wire Shelf
4. Door Storage – Bottle Holder
5. Levelling Feet

**CONTENTS:**

**Section 1. Installation**

**Section 2. Safety Advice**

**Section 3. Operating the Appliance**

**Section 4. Maintenance**

## **Section 1. Installation**

- **IMPORTANT!** This appliance must be left to stand in an upright position for at least 4 hours before being switched on for the first time.
- Remove all packaging and securing tape from the appliance.
- Wash the interior of the appliance with luke warm water containing a small amount of bicarbonate soda (5ml to 0.5 litres of water).
- Position the appliance in a dry atmosphere and out of direct sunlight. Do not sit it on top of another cooling appliance.
- Do not position next to a cooker or other sources of heat, i.e. radiator.
- If positioned next to another fridge or freezer, leave a minimum gap of 2cm between the appliances in order to avoid condensation.
- A clearance of 50mm should be left above the appliance. If this cannot be achieved you should ensure a clearance of 25mm is maintained on each side of the appliance.
- Fit the plastic wall spacers to the condenser on the rear of the appliance, this will ensure an air gap between the appliance and the wall.
- Do not place or store heavy items on the top of this appliance.
- Ensure that the appliance is positioned on a firm flat floor.
- This appliance must be level. Adjust the level by screwing the adjustable feet up or down (use your fingers or a suitable spanner).
- Ensure that the appliance is upright and both feet are in firm contact with the floor so that the cabinet is stable.
- Connect the plug to an adjacent 13amp socket outlet and ensure that the appliance is not standing on the supply cable.

## **Section 2. Safety Advice**

- Please read this booklet thoroughly before installing and switching on the appliance. The manufacturer accepts no responsibility for incorrect installation and usage.
- If this appliance is to replace an old refrigerator with a lock, as a safety measure break or **remove the lock and/or door** before disposal.
- Your old appliances contain insulation gases and refrigerant that must be disposed of correctly. Please ensure that the refrigerant circuit is not damaged before the appliance is taken away for correct disposal in line with current legislation. If there is any doubt contact your Local Authority for instructions.
- This appliance may contain the refrigerant isobutene (R600a). This is a natural gas with a high level of environmental compatibility; however, caution is required as isobutene is a flammable gas. It is essential to ensure

that refrigerant tubes are not damaged during transportation and the installation of the appliance. In the event that the refrigerant circuit is damaged, avoid naked flames or sources of ignition and ventilate the room in which the appliance is situated.

- Do not damage the refrigerant circuit.
- Do not allow children to play with the appliance. Children must never play in or around the appliance.
- If using an adaptor, this must be used in accordance with the manufacturers instructions and ensure that the electrical circuit is not overloaded as this could cause overheating.
- Do not twist or bend the cables, and keep them away from hot surfaces.
- Do not plug in or unplug this appliance with wet hands.
- Following installation make sure that the power cable is not trapped underneath the appliance.

## **Section 3. Operating the Appliance**

### **3.1. Switching on the Appliance**

- Allow the appliance to stand for a minimum of 4 hours after installation.
- Plug in the appliance and switch on at the mains supply.
- Set the thermostat control to the required setting as detailed in the Temperature Control section (3.2.).
- Leave the appliance for approximately 4 hours for the correct temperature to be reached.

### **3.2. Temperature Control**

The temperature control dial is located adjacent to the ice box and can be adjusted by rotating the dial in a clockwise direction from '0' to '6'.

- Setting 'Off': Appliance switched off
- Setting '1': Warmest Temperature
- Setting '3' to '4': Normal Operation (adequate for most situations)
- Setting '6': Coldest Temperature

#### **Important!**

During high ambient temperatures e.g. on hot summer days, it may be necessary to set the thermostat to the coldest setting. This may cause the compressor to run continuously in order to maintain a low temperature in the cabinet.

### **3.3. Ice-Box**

The ice-box can be used for the freezing and storage of small amounts of ice.

**Please note: You cannot use this ice-box to store frozen food or freeze any fresh food item.**

### **3.4. Normal Operating Sounds**

You may hear faint gurgling or bubbling sounds when the refrigerant is pumped to the cooling system and through the coils or tubing at the rear of the appliance. When the compressor is in operation you may hear a slight whirring sound or pulsating noise. The thermostat controls the operation of the compressor, and you may hear a slight click as it cycles in and out.

### **3.5. Energy Saving Advice**

- Do not install the appliance close to sources of heat, such as a cooker, dishwasher or radiator.
- Locate the appliance in a cool well-ventilated room and make sure that the air vents are clear.
- Try to avoid keeping the door open for a long time, warm air will enter the cabinet and may cause a build up of ice as well as affecting the energy consumption. Ensure there are no obstructions preventing the door from closing properly.
- Ensure that the door seal is clean and there are no tears or splits.
- Do not put hot food into the freezer – let it cool down first.

### **3.6. In the Event of a Power Failure**

If there is a power failure, keep the door closed. When the power has been restored the appliance will start to operate but it may take some time to achieve the pre-set operating temperature. Check the condition of your stored food items and liquids.

## **Section 4. Maintenance**

**Before any maintenance or cleaning work is carried out, DISCONNECT the appliance from the ELECTRICITY supply.**

### **4.1. Internal Cleaning**

Clean the interior and accessories with warm water and bicarbonate of soda (5ml to 0.5 litre of water). Rinse and dry thoroughly. Do not use detergents, abrasive powders, highly perfumed cleaning products, wax polishes or cleaning products containing bleach or alcohol.

### **4.2. External Cleaning**

Wash the outer cabinet with warm soapy water. Do NOT use abrasive products. There may be sharp edges on the underside of the product, so care should be taken when cleaning. Once or twice a year dust the rear of the appliance and the compressor at the back of the appliance, with a brush or vacuum cleaner, as an accumulation of dust will affect the performance of the appliance and cause increased energy consumption.

### 4.3. Defrosting

If ice build up in the ice-box exceeds 3-5mm, empty the contents and switch off the appliance, leave the door open and allow the ice to melt. **Do not use sharp objects to scrape the ice away.** Clean and dry the interior, close the door and turn on the power to the appliance. When the power has been restored the appliance will start to operate but it may take some time to achieve the pre-set operating temperature.

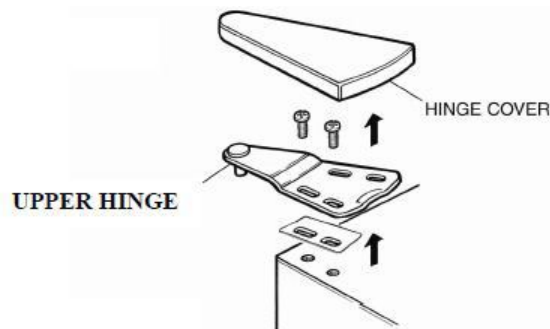
### 4.4. When the appliance is not in use

When the appliance is not in use for long periods, remove the contents, disconnect from the electricity supply and clean the appliance, leaving the door ajar until you wish to use the appliance again.

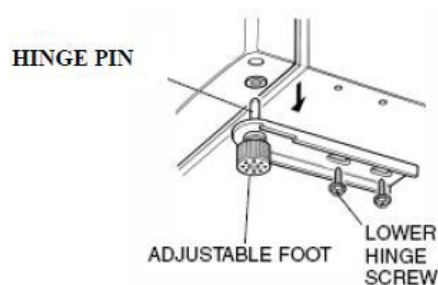
### 4.5. Reversing the door

To reverse the door opening from right hand hinged to left hand hinged, please proceed as follows:

- Remove the upper hinge cover, screws and hinge assembly



- Lift the door off the lower hinge and set aside
- Remove the screws and lower hinge assembly



- Remove the adjustable foot from the lower left hand side
- Remove the hinge and the adjustable foot assembly from the lower hinge



- Now fit the lower hinge assembly using the pre-drilled holes on the lower left hand side of the cabinet and fit the foot to the r-hand side
- Remove the plastic caps from the top left hand side and refit them into the holes on the top right hand side
- Remove the plastic cap from the top left hand side of the door and refit into the hole on the top right hand side
- Position the door onto the lower hinge assembly and refit the upper hinge assembly .
- Ensure that the door is correctly aligned and sealed, then tighten all the screws and refit the upper hinge cover

#### **4.6. What to do if something goes wrong**

There is no power to the appliance:

- Check there is not a power cut
- Check there is power to the electric socket/appliance
- Check the fuse in the plug (Must be 13 amp)
- Check that the Temperature Control is set to “1” or above

The compressor runs continuously:

- Is the door closed correctly?
- Have large quantities of food recently been added to the appliance? – if yes, allow the interior temperature to recover
- Has the appliance door been opened frequently? – if yes, allow the interior temperature to recover
- Check that the Temperature Control has not been set to maximum (“6”)

There is excessive frost/ice build up:

- Ensure that the door has been closed correctly
- Ensure that the door seal is clean and sealing correctly
- Check that the Temperature Control has not been set to maximum (“6”)

The appliance is making a noise:

- Refer to Normal Operating Sounds, section 3.4.
- Ensure that the appliance has been installed correctly (see section 1).

If after the above checks there is still a fault please contact your retailer.

## Insurance

**! Any warranty provided with this product does not cover loss of !  
fridge/freezer content.**

Any claim for loss, damage, costs or expenses of an indirect or consequential nature including any economic loss or damage to foodstuffs or any other goods is excluded. We recommend that you inspect your fridge/freezer regularly to check that it is working correctly, losses can result from deterioration following breakdown or accidental failure of the appliance, fuses, plugs or public electricity supply, these can be covered by your standard home insurance or might require extra cover. Check with your insurance provider.

### **Important Note:**

This appliance is marked according to the European directive 2002/96/EC on Waste Electrical and Electronic Equipment (WEEE). By ensuring this product is disposed of correctly, you will help prevent potential negative consequences for the environment and human health, which could otherwise be caused by inappropriate waste handling of this product.

The symbol on the product, or on the documents accompanying the product, the Crossed Out Wheelie Bin, indicates that this appliance may not be treated as household waste. Instead it shall be handed over to the applicable collection point for the recycling of electrical and electronic equipment.

Disposal must be carried out in accordance with local environmental regulations for waste disposal. For more detailed information about treatment, recovery and recycling of this product, please contact your local authority, your household waste disposal service or the retailer where you purchased the product.



---

We continuously try to improve our products for the benefit of our customers. For this reason we reserve the right to make changes to any product at any time, without notice

Issue: 01/27-02-2012